



200KG FOLDING SACK TRUCK WITH PNEUMATIC TYRES

MODEL NO: **CST801.V2**

Thank you for purchasing a Sealey product. Manufactured to a high standard, this product will, if used according to these instructions, and properly maintained, give you years of trouble free performance.

IMPORTANT: PLEASE READ THESE INSTRUCTIONS CAREFULLY. NOTE THE SAFE OPERATIONAL REQUIREMENTS, WARNINGS & CAUTIONS. USE THE PRODUCT CORRECTLY AND WITH CARE FOR THE PURPOSE FOR WHICH IT IS INTENDED. FAILURE TO DO SO MAY CAUSE DAMAGE AND/OR PERSONAL INJURY AND WILL INVALIDATE THE WARRANTY. KEEP THESE INSTRUCTIONS SAFE FOR FUTURE USE.



Refer to instructions

1. SAFETY

- ✓ Always load evenly with the centre of gravity of the load as near the centre and rear of the plate as possible.
- ✓ Obtain additional support for large or wide loads to prevent tipping.
- ✗ **DO NOT** overload the truck - see Specification.
- ✗ **DO NOT** leave unattended, especially when loaded, unless the wheels are chocked or the truck is otherwise secured.
- ✗ **DO NOT** use truck on uneven ground and do not run over curbs or steps - use a ramp.
- ✗ **DO NOT** allow others to ride on the truck.
- ✗ **DO NOT** use the truck if any part is damaged, paying particular attention to the wheels.

2. INTRODUCTION

Extra-strong tubular steel framework with heavy-duty pneumatic tyres allow transport of load over rough terrain. Features foldaway toe plate and height-adjustable handles. Fitted with composite grip handles for added comfort and stability.

3. SPECIFICATION

Model No:.....**CST801.V2**
 Capacity: 200kg
 Height(s): 810-1165mm
 Overall Width: 480mm
 Platform Depth: 290mm
 Wheel Size: Ø250mm
 Wheel Width:..... 80mm

4. ASSEMBLY

4.1. WHEELS

- 4.1.1. Ensure each axle is clean from dust and dirt to allow free movement of the wheel.
- 4.1.2. Slide the wheel (fig.1.2) onto the axle (fig.1.1). Place a washer over the axle (fig.1.3).
- 4.1.3. Push the split pin through the hole in the end of the axle and bend over the ends in order to secure the whole assembly.
- 4.1.4. Repeat for the other side.

4.2. TOE PLATE

- 4.2.1. If the toe plate is not already attached, do so using the bolts, washers and nuts supplied.
- 4.2.2. Attach at the bottom of the truck (fig.2.1).

5. OPERATION

- 5.1. Check and inflate the tyres. **DO NOT** inflate above 30psi.
- 5.2. Fold down the toe plate ready to accept a load (fig.2).
- 5.3. The handle can be extended by compressing the tabs on the central bar (fig.2.2) and pulling up on the handle. Pull upwards until a 'click' is heard.
- ✗ **DO NOT** overload the sack truck. **DO NOT** try to carry loads that make the truck unstable.
- 5.4. Slowly lean the sack truck backwards to take the weight of the load.
- 5.5. Proceed at a safe speed especially at corners where there could be a danger of the load shifting.
- 5.6. Extra care should be taken on inclined surfaces.
- 5.7. Where there is a curb or step, a ramp should be used.
- 5.8. After use fold up the toe plate and retract the handles (fig.2.2 & fig.3), store in a safe dry place.
- 5.9. Periodically check all fittings are tight.

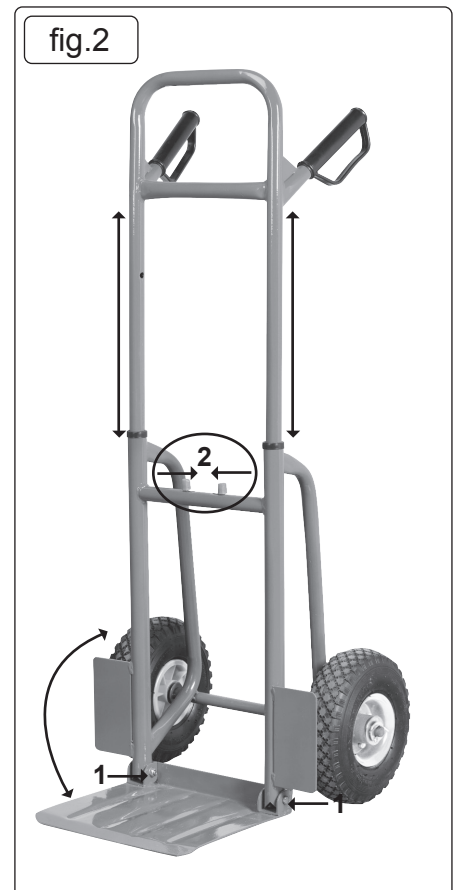
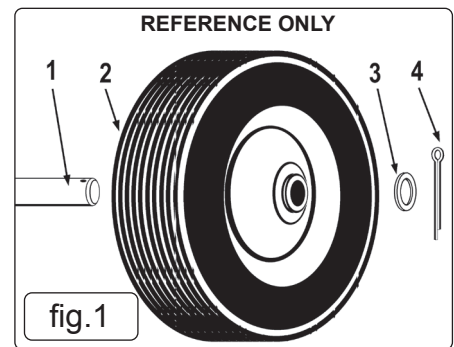


fig.3



Parts support is available for this product. Please log on to www.sealey.co.uk, email sales@sealey.co.uk or telephone 01284 757500



ENVIRONMENT PROTECTION

Recycle unwanted materials instead of disposing of them as waste. All tools, accessories and packaging should be sorted, taken to a recycling centre and disposed of in a manner which is compatible with the environment. When the product becomes completely unserviceable and requires disposal, drain any fluids (if applicable) into approved containers and dispose of the product and fluids according to local regulations.



REGISTER YOUR PURCHASE HERE

Note: It is our policy to continually improve products and as such we reserve the right to alter data, specifications and component parts without prior notice.

Important: No Liability is accepted for incorrect use of this product.

Warranty: Guarantee is 12 months from purchase date, proof of which is required for any claim.

Sealey Group, Kempson Way, Suffolk Business Park, Bury St Edmunds, Suffolk. IP32 7AR



01284 757500



01284 703534



sales@sealey.co.uk



www.sealey.co.uk